



MULTIFUNCTIONAL DIGITAL SYSTEMS

# **Safety Information**

---

**TASKalfa 550c/650c/750c**







## Preface

---

Thank you for purchasing the Multifunctional Digital Systems.  
The SAFETY INFORMATION describes the necessary precautions for using this Multifunctional Digital Systems.  
For your added safety, be sure to read this booklet before using this equipment.

### ■ Trademarks

Company names and product names in this manual are the trademarks of their respective companies.

# Security Precautions

---

In order to make correct use of this products security function, first read the following precautions carefully.

## ■ For customers using this equipment

Do not shut down the equipment while “ERASING DATA” is being displayed; the erasure of the data carried out until then may become invalid.


## ■ To Administrators

- If a physical security problem such as hardware removal or inappropriate disassembly should occur at the installation site, take the appropriate physical security measures such as checking who enters and leaves the site.
- When connecting this product with an outer network such as the Internet, only operate it in a network environment protected by a firewall, etc. to prevent information from being leaked due to incorrect settings or avoid illegal access by unauthorized users.
- To prevent the configuration settings from being changed illegally or similar, change the initial administrator password at the time of shipping before you use this product. Also, the administrator password should be altered periodically.
- In order to make proper use of the network function and user management function, be sure to read the COMMAND CENTER Guide, set the given function and explain the instructions to general users as well.
- Always check if the network function and user management function are enabled in order to maintain the security. Should you happen to come across any abnormality, contact your service technician immediately. See the COMMAND CENTER Guide for the checking method.

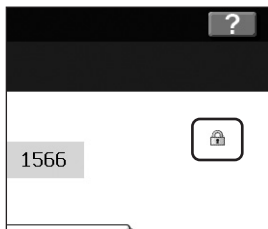
## ■ Data Encryption Function

An icon  appears on the touch panel when the Data Encryption Function is enabled on this equipment.

### How to check active status of Data Encryption Function

Press the [COUNTER] button on the control panel. This icon  appears at the touch panel if the Data Encryption Function is enabled.

Contact your service technician for the use of the Data Encryption Function.



---

## Notice to Users

After a suitable place has been selected for the installation of the equipment, please do not change it. Avoid excessive heat, dust, vibration and direct sunlight. Also, provide proper ventilation as the copier emits a small amount of ozone.

### For U.S.A. only

#### FCC NOTICE

This equipment has been tested and found to comply with the limits for a Class A digital device, pursuant to Part 15 and Part 18 of the FCC Rules. These limits are designed to provide reasonable protection against harmful interference when the equipment is operated in a commercial environment. This equipment generates, uses and can radiate radio frequency energy and, if not installed and used in accordance with the instruction manual, may cause harmful interference to radio communications. Operation of this equipment in a residential area is likely to cause harmful interference in which case the user will be required to correct the interference at his own expense.

#### WARNING

Changes or modification made to this equipment, not expressly approved, could void the user's authority to operate the equipment.

#### User Safety

This Multifunctional Digital Systems does not produce laser radiation hazardous to the user. It is certified as a Class 1 laser product under the U.S Department of Health and Human Services (DHHS) Radiation Performance Standard according to the Radiation Control Health and Safety Act of 1968 including amendments.

Protective housing and external covers completely confine the laser beam light emitted inside the Multifunctional Digital Systems. The laser beam cannot escape from the machine during any phase of user operation.

Regulations implemented on August 2, 1976 by the Bureau of Radiological Health (BRH) of the U.S Food and Drug Administration apply to laser products manufactured from August 1, 1976. Laser products marketed in the United States must comply with these regulations.

#### CAUTION

Use of controls or adjustments or performance of procedures other than those specified herein may result in hazardous radiation exposure.

### For U.S.A. and Canada

#### USE OF RECYCLED PAPER IN THE COPIER

As with all copiers and reproduction devices, the use of the appropriate paper ensures the best image quality of the copies and the machine's performance and reliability.

Because of the extreme variances in composition and quality of paper from various manufacturers, consumers should ensure the recycled paper they use is suitable for the copier.

If you have any questions regarding the use of recycled paper in your copier, contact your authorized service technician.

#### Other Notices

This product contains a CR Coin Lithium Battery which contains Perchlorate Material - special handling may apply.

See <http://www.dtsc.ca.gov/hazardouswaste/perchlorate/>

**Hg**

- The high efficiency LCD backlights used in this product contains 5 mg or less of Mercury, the disposal of which may be regulated due to environmental considerations. For disposal or recycling information, please contact your local authorities or the Electronic Industries Alliance ([www.eiae.org](http://www.eiae.org)).

The unit is classified as Class 1 Laser Product according to IEC 60825-1:1993/EN 60825-1:1994 including amendments.

The unit uses laser diode of output 13.3 mW, wave length 788 nm, continuous pulse.

#### CAUTION

Use of controls or adjustments or performance of procedures other than those specified herein may result in hazardous radiation exposure.

## For Canada only

This Class A digital apparatus complies with Canadian ICES-003.  
Cet appareil numérique de la classe A est conforme à la norme NMB-003 du Canada.

### Except U.S.A. and Canada

The unit is classified as Class 1 Laser Product according to IEC 60825-1:1993/EN 60825-1:1994 including amendments.  
The unit uses laser diode of output 13.3 mW, wave length 788 nm, continuous pulse.

#### Caution:

Use of controls or adjustments or performance of procedures other than those specified herein may result in hazardous radiation exposure.

## For EU only

### Working environment

From EMC (Electromagnetic Compatibility) point of view, the operation of this product is being restricted in following environments:

- Medical Environments: This product is not certified as a medical product according to the Medical Product Directive 93/42/EEC.
- Domestic environments (e.g. a private living room with TV / Radio sets in the nearby surrounding area) because this is a so called EMC class A product. In a domestic environment this product may cause radio interference in which case the user may be required to take adequate measures!

Any consequences resulting from the use of this product in restricted working environments are not the responsibility.

The consequences of the use of this product in restricted working environments may be an electromagnetic interference with other devices or machines in the nearby surrounding area. This can result into malfunction including data loss / data error pertaining to this product or the other devices / machines involved in the electromagnetic interference.

Furthermore, for general safety reasons, the use of this product in environments with explosive atmospheres is not permitted.

### CE compliance

This product is labelled with the CE mark in accordance with the provisions of the applicable European Directives, notably the Low Voltage Directive 2006/95/EC, the Electromagnetic Compatibility Directive 2004/108/EC for this product and the electric accessories, the Radio Equipment and Telecommunications Terminal Equipment Directive 1999/5/EC for the telecommunication accessories.

### Warning:

This is a Class A product. In a domestic environment this product may cause radio interference in which case the user may be required to take adequate measures.

Following information is for EU-member states only:



This product is marked according to the requirement in EU-Directive 2002/96/EC.  
(Directive on Waste electrical and electronic equipment - WEEE)

The use of the symbol indicates that this product may not be disposed as unsorted municipal waste and has to be collected separately. By ensuring this product is disposed of correctly, you will help prevent potential negative consequences for the environment and human health, which could otherwise be caused by inappropriate waste handling of this product. For more detailed information about the take-back and recycling of this product please contact your supplier where you purchased the product.

Following information is for EU-member states only:



Disposal of batteries and/or accumulators  
(based on EU-Directive 2006/66/EC,  
Directive on batteries and accumulators and waste batteries and accumulators)

By ensuring that batteries and/or accumulators are disposed of correctly, you will help prevent potential negative consequences for the environmental and human health, which could otherwise be caused by inappropriate waste handling of this product. For more detailed information about the take-back and recycling of batteries and/or accumulators, please contact your supplier where you purchased this product.

## For Germany only

### Machine Noise Information

Ordinance 3. GPSGV: The maximum sound pressure level is equal or less than 70 dB(A) according to EN ISO 7779

## Quality is Second to None

---

We recommend the use of our own brand supplies. We will not be liable for any damage caused by the use of third party supplies in this equipment.

---

## ■ Supplies / Parts

- **Dependability**  
Genuine supplies are subjected to the strictest of inspections so that every supply you receive will perform at optimal levels.
- **High Productivity**  
Genuine supplies are created to meet the demands of our competitive world and provide highspeed reliable copies when you need them.
- **Stable Image Quality**  
Genuine supplies are designed to provide consistently stable image output.
- **Copier Friendly Supplies**  
Genuine supplies are designed to help to keep the copier and all its parts in troublefree working order. Reduction of machine wear is due to intimate knowledge of the copier's characteristics ensuring the highest standard of care.
- **Perfectly Suited Supplies**  
From the beginning supplies and machines were made for each other. Whenever designs a new machine, it also designs a new toner that is made just for that machine. By using Genuine supplies with copiers, you are guaranteed optimum performance.

## ■ Toner

- **Optimum Image Quality**  
Toner is manufactured using ultra-fine quality materials under precisely controlled conditions to ensure that your copiers will continually generate sharp high-quality images.
- **Cost Advantage**  
Genuine toner provides value. Only the proper amount of toner is used during the reproduction process, thereby enabling the machine to continue to operate until all the toner has been used. In this way you get the full value from each cartridge used.
- **Environmental Harmony**  
Genuine toner is manufactured with the environment in mind. To protect our planet for the benefit of future generations, we use embossed or plastic labels making our toner cartridges fully recyclable. In addition, dust and ozone levels have been reduced to improve the working environment.
- **User Friendly**  
Before approving our toners for sale, we test them to be sure that they pass the strictest of health standards. This takes all the worry out of handling the toner.

## ■ General

- **Service and Support Benefits**  
Service technicians are certified to keep your copier performing at optimum levels. To ensure continuous image quality, utilize an authorized Service provider to care for and perform periodical maintenance on your copier.

# CONTENTS

---

Preface.....	1
Security Precautions.....	2
Notice to Users .....	3
Quality is Second to None .....	5

## Chapter 1 GENERAL PRECAUTIONS

---

General Precautions.....	10
When installing or moving .....	10
When using the Multifunctional Digital Systems.....	11
During maintenance or inspection .....	13
When handling supplies .....	13

## Chapter 2 ENVIRONMENTAL INFORMATION

---

Environmental Information.....	16
ENERGY STAR® Program .....	16



# GENERAL PRECAUTIONS

This chapter describes the necessary safety precautions for using the equipment.

<b>General Precautions .....</b>	<b>10</b>
When installing or moving .....	10
When using the Multifunctional Digital Systems.....	11
During maintenance or inspection.....	13
When handling supplies .....	13

## General Precautions

### ■ When installing or moving

#### ⚠ WARNING

##### For U.S.A. and Canada

This Multifunctional Digital Systems requires 115 V, 20 A (or 15 A + 20 A), 50/60 Hz electric power.

##### For EU

This Multifunctional Digital Systems requires 220 to 240 V AC, 13 A, 50/60 Hz electric power.

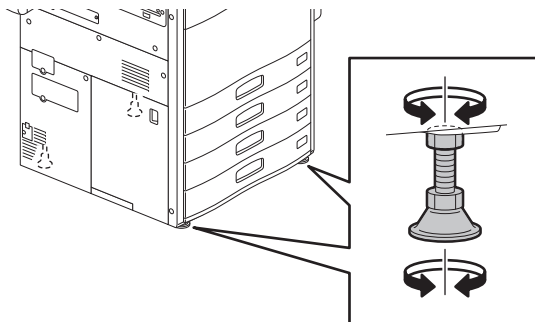
##### Except U.S.A., Canada and EU

This Multifunctional Digital Systems requires 220 to 240 V AC, 10 A, 50/60 Hz electric power. For Saudi Arabia 100 V version, it requires 127 V AC, 20 A (or 15 A + 20 A), 50/60 Hz electric power.

- Do not use a power supply with a voltage other than that specified.  
Avoid multiple connections in the same outlet. This could cause a fire or give you an electric shock. If you are considering increasing the number of outlets, contact an electrician.
- Always connect this Multifunctional Digital Systems to an outlet with a ground connection to avoid the danger of fire or electric shock in case of short-circuiting. Contact your service representative for the details. Be sure to use a 3-conductor, grounded wall outlet.  
In areas, except U.S. and Canada, where a 2-pin plug is used, the Multifunctional Digital Systems must be grounded for safety. Never ground it to a gas pipe, a water pipe, or any other object not suitable for grounding.
- Plug the power cord securely into the outlet. If it is not plugged in properly, it could heat up and cause a fire or give you an electric shock.
- Do not damage, break or attempt to repair the power cord.  
The following things should not be done to the power cord.
  - Twisting it
  - Bending it
  - Pulling it
  - Placing anything on it
  - Making it hot
  - Situating it near radiators or other heat sources
 This could cause a fire or give you an electric shock. If the power cord is damaged, contact your service representative.
- Do not install the equipment by yourself or try to move it once it has been installed. This could result in an injury or damage to the device. Contact your service representative if the equipment needs to be installed or moved.
- The socket outlet shall be near the equipment and be easily accessible.
- Pull out the plug from the outlet more than once a year to clean around the prongs. Accumulating dust and dirt could cause a fire due to the heat released by electric leakage.

#### ⚠ CAUTION

- When removing the plug from the outlet, do not pull the power cord. Always hold the plug when removing it from the outlet. If the power cord is pulled, the wires may become broken and this could cause a fire or give you an electric shock.
- Make sure that the ventilation holes are not blocked up.  
If the temperature within the Multifunctional Digital Systems becomes too high, a fire could result.
- There are 4 adjusters (stoppers) at the bottom of the equipment (2 in the rear, 2 in the front). After moving/installing the equipment, be sure to turn and lower the adjusters, and then fix them firmly on the floor.  
Before moving the equipment, turn and raise the adjusters.

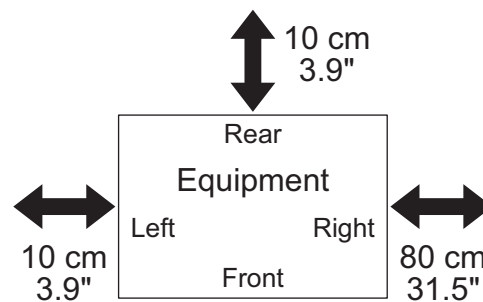


**⚠ WARNING**

Do not install the equipment by yourself or try to move it once it has been installed. This could result in an injury or damage to the device. Contact your service representative if the equipment needs to be installed or moved.

**□ Other points**

- Make sure that there is enough space around the system to facilitate changing of parts, maintenance and clearing paper jam.  
If there is insufficient space, some operations, such as bypass feeding, will become difficult and the Multifunctional Digital Systems could even break down.  
To insure optimal operation, allow clearances of at least 80 cm (31.5") on the right, and 10 cm (3.9") on the left and behind.



- Be sure to fix the power cable securely so that no one trips over it.
- Adverse environmental conditions may affect the safe operation and performance of the Multifunctional Digital Systems, and the Multifunctional Digital Systems could break down.
  - Avoid locations near windows or with exposure to direct sunlight.
  - Avoid locations with drastic temperature fluctuations.
  - Avoid too much dust.
  - Avoid location that suffer from vibration.
- Make sure that the air is able to flow freely and that there is sufficient ventilation.  
With inadequate ventilation, the unpleasant odor released by ozone will begin to dominate the atmosphere.

**■ When using the Multifunctional Digital Systems****⚠ WARNING**

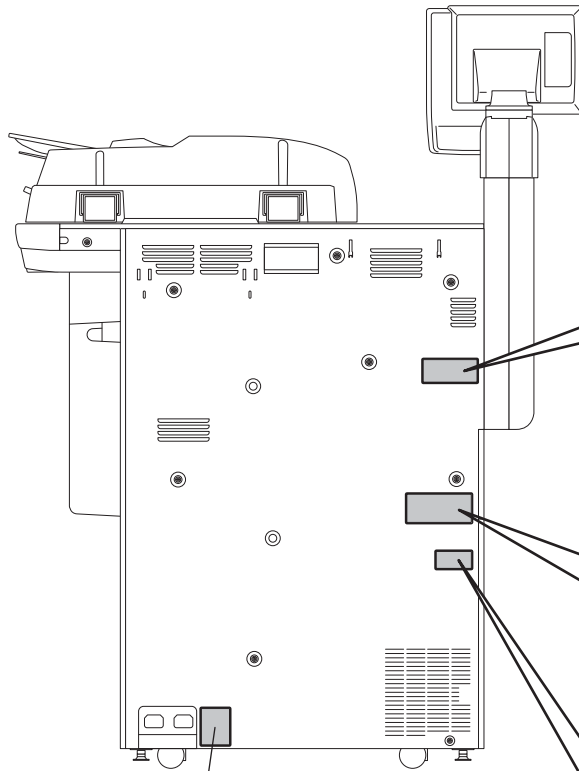
- Do not take off the cover of the equipment; otherwise you could be injured or get an electric shock.
- Do not remove or connect the plug with wet hands, as this could give you an electric shock.
- Do not place any container with liquid (flower vases, coffee cups, etc.) on or near the equipment.  
This could cause a fire or give you an electric shock.
- Keep paper clips and staples away from the air vent. If not, a fire could result or you could get an electric shock.
- If the Multifunctional Digital Systems becomes excessively hot, smoke comes out of it or there is an odd smell or noise, proceed as follows.  
Turn the main power switch OFF and remove the plug from the outlet, then contact your service representative.
- If the Multifunctional Digital Systems will not be used for more than one month, remove the plug from the outlet for safety purposes during that time. If an insulation failure occurs, this could cause a fire or give you an electric shock.

**⚠ CAUTION**

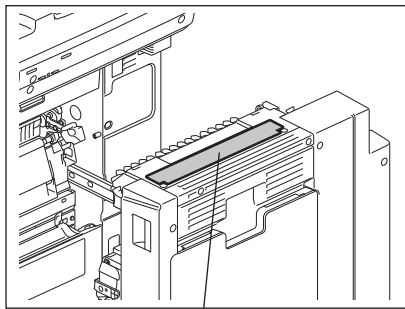
- Do not place heavy objects (4 kg/9 lb. or more) on the original glass and do not press on it with force. Breaking the glass could cause personal injury.
- Do not place heavy objects (4 kg/9 lb. or more) on the Multifunctional Digital Systems. If the objects fall off, this could cause injury.
- Do not touch the fuser unit or the metal area around it. Since they are very hot, you could be burned or the shock could cause you to get your hand injured in the machine.
- Be careful not to let your fingers be caught when closing the drawer. This could injure you.
- Be careful not to let your fingers be caught between the equipment and the duplexing unit or automatic duplexing unit.  
This could injure you.
- Do not touch the metal portion of the guide plate in the duplexing unit or automatic duplexing unit as it could burn you.
- Do not touch the hinge (= a connecting part) on the rear side of the Reversing Automatic Document Feeder. This could catch and injure your fingers when you open or close the Reversing Automatic Document Feeder.
- Always keep hands and fingers clear of FINISHER TRAY HINGE, as the tray could move unexpectedly. Failure to do so could result in injury to your hand and/or fingers.

- Be careful not to catch your fingers between the duplexing unit and its cover. This could injure you.
- Do not touch the metal portion of the bridge unit as it could burn you.

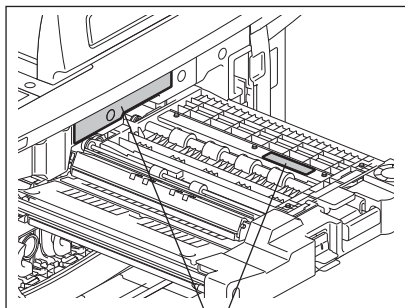
□ Position of Certification label, etc.



Warning for grounding wire





Warning for high temperature area (Duplexing unit / Fuser unit)



Warning for high temperature area (Bridge unit)

Identification label

For U.S.A. and Canada	
<b>750c</b>	
MFP	
115V ~ 50/60Hz NO.	9.3A+9.2A (IH)
	
KYOCERA MITA Corporation <span style="float: right;">TC MADE IN CHINA</span>	
For EU	
<b>750c</b>	
MFP	
220-240V ~ 50/60Hz NO.	13A
	
KYOCERA MITA Corporation <span style="float: right;">TC MADE IN CHINA</span>	

Explanatory label

CLASS 1 LASER PRODUCT  
 APPAREIL À LASER DE CLASSE 1  
 LASER KLASSE 1  
 PRODUCTO DE LASER DE CLASE 1  
 クラス1レーザー製品

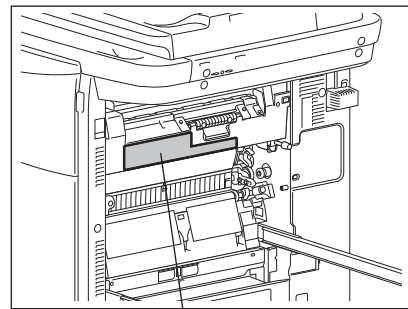
>PS<

Certification label (For U.S.A. and Canada)

Product is certified by the manufacturer to comply with DHHS Rule 21 CFR subchapter J applicable at the date of Manufacture.

Manufactured: TC

**KYOCERA MITA Corporation**  
 2-28 1-CHOME TAMATSUKURI CHUO-KU OSAKA JAPAN



Warning for high temperature area (Fuser unit)

## □ Other points

- Be very careful to treat the touch panel gently and never hit it. Breaking the surface could cause malfunctions.
- Do not turn the power OFF with paper left jammed inside the equipment.  
This could cause a malfunction when the power is turned ON next time.
- Be sure to turn the power OFF when leaving the office or if there is a power cut. However, do not turn the power OFF if the weekly timer is in use.
- Be careful because the paper exit area and paper just after exiting are hot.
- Do not place anything other than paper on the receiving tray. This could disturb a normal operation and cause malfunctions.
- Do not touch the photoconductive drum, transfer belt and 2nd transfer roller. This could cause image problems.
- Do not open/close the covers and the bypass tray, or pull out the drawers during printing.

## ■ During maintenance or inspection

### ⚠ WARNING

- Never attempt to repair, disassemble or modify the Multifunctional Digital Systems by yourself. You could cause a fire or get an electric shock.  
Always contact your Service representative for maintenance or repair of the internal parts of the Multifunctional Digital Systems.
- Do not let liquids such as water and oil get into the system when cleaning the floor. This could cause a fire and give you an electric shock.

### ⚠ CAUTION

- Always keep the plug and outlet clean. Prevent them from accumulating dust and dirt. This could cause a fire and give you an electric shock due to the heat released by electric leakage.
- Do not touch the stapling area. The actual needle point could cause you personal injury.

## □ Other points

- Do not use such solvents as thinner or alcohol when cleaning the surface of the Multifunctional Digital Systems.
  - This could warp the shape of the surface or leave it discolored.
  - When using a chemical cleaning pad to clean it, pay attention to any cautionary points.

## ■ When handling supplies

### ⚠ CAUTION

- Never attempt to incinerate toner cartridges and waste toner boxes. Dispose of used toner cartridges and waste toner boxes in accordance with local regulations.



## ENVIRONMENTAL INFORMATION

This chapter gives the information regarding the environment.

<b>Environmental Information</b> .....	<b>16</b>
ENERGY STAR® Program.....	16

## Environmental Information

---

### ■ ENERGY STAR® Program

As a member of the ENERGY STAR Program, attaches the ENERGY STAR logo to all products which meet the ENERGY STAR Program requirements.



The ENERGY STAR Program aims at the promotion of the development and wider usage of office equipment including energy-efficient computers in order to address environmental issues such as global warming. Manufacturers that participate in this program can attach the ENERGY STAR logo to products after confirming that they meet the energy saving standards of this program. Also, these standards and logo are commonly used within the U.S. Environmental Protection Agency (EPA) and participating countries.

Specified products, sales countries or regions may not be included.

To distinguish whether or not the product meets the ENERGY STAR Program requirements, check if the corresponding logo is on the product.

If you have any questions, contact your service representative.





First edition 2009.4  
Printed in China 305JN56030