

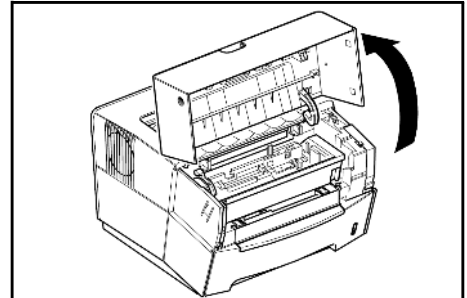
FS-720, FS-820 & FS-920 Toner Container

To replace the *Toner Container* use the instructions below.



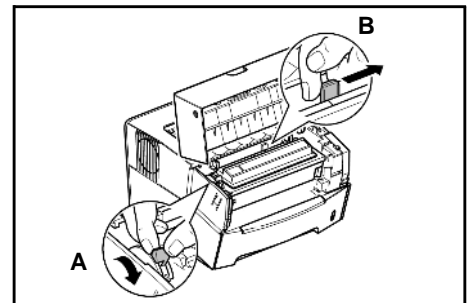
CAUTION: Do not attempt to incinerate the *Toner Container*. Dangerous sparks may cause burns. Do not attempt to force open or destroy the *Toner Container*.

- 1 Open the *Top Cover*.



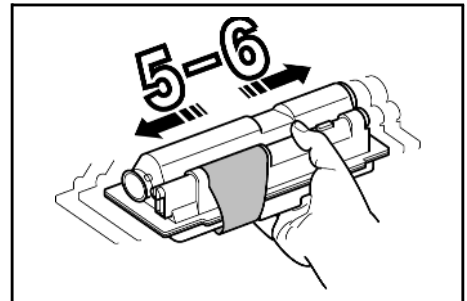
- 2 Turn *Lock Lever A* to the unlock position, push *Lock Lever B* to the right and pull out the *Toner Container*.

Place the used *Toner Container* in the plastic bag provided for disposal.

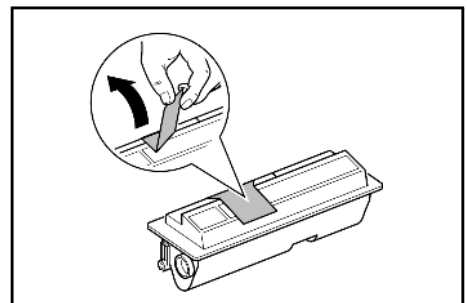


- 3 Remove the packaging from the new *Toner Container*.

Shake the container horizontally to distribute the toner evenly.

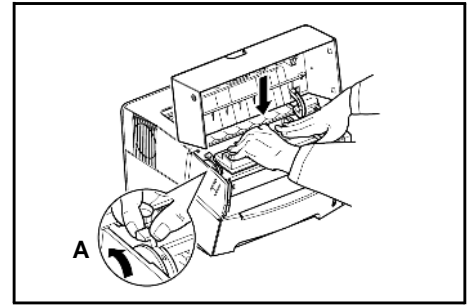


- 4 Remove the label from the *Toner Container*.



- 5 Install the new *Toner Container* in the printer. Push firmly on the top of the container at the positions marked PUSH HERE, until you hear a click.

Turn *Lock Lever A* to the lock position and close the *Top Cover*.



Toner Container Capacity

There are two different *Toner Container* capacities available for this product, one provides approximately 2000 prints and the other approximately 6000 prints. If you change from one capacity to another, perform the following steps to ensure the remaining amount of toner is shown correctly on the status page *Toner Gauge*.

- 1 Install *KM-NET for Clients* using the CD-ROM supplied and run the program.
- 2 Select the *Menu* button located on the left and then the *Menu* tab.
- 3 Select *Toner* and then *Black*.
- 4 Select *Capacity*. The *Capacity* dialog opens on the right.
- 5 In the *Capacity* drop down menu, select the appropriate capacity, *2000* or *6000* pages and select *OK*.