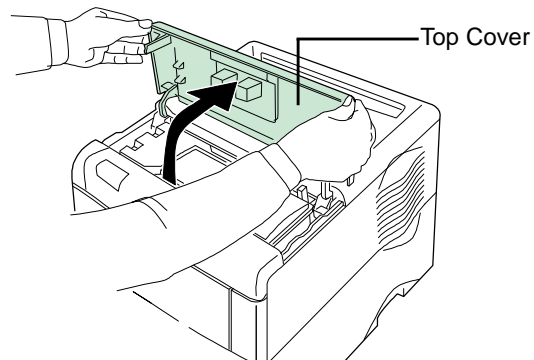
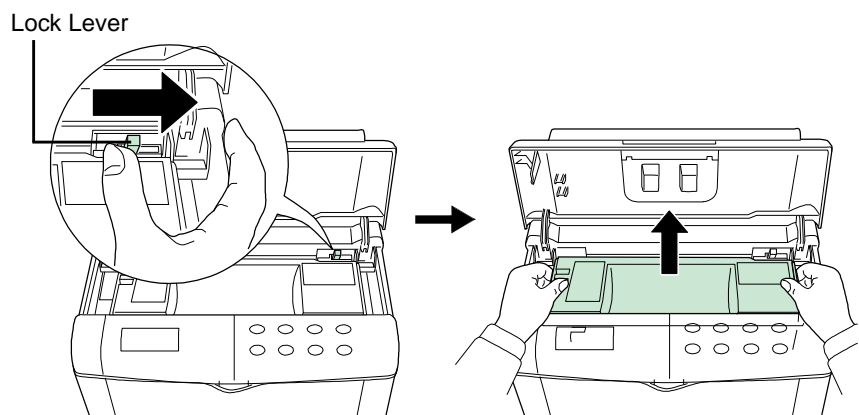


## FS-1800(+), FS-1900, FS-1920, FS-3800, FS-3820N & FS-3830N Replenishing Toner

- 1 Open the printer top cover all the way.



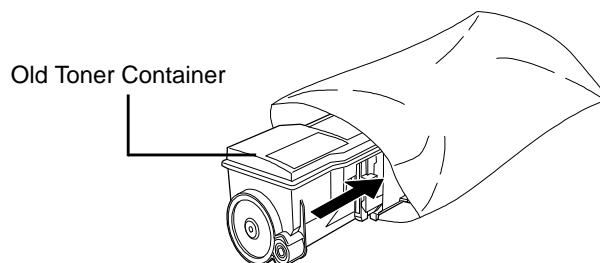
- 2 Pull the lock lever (blue coloured) to the right and gently lift the old toner container.



Note

- Keep the toner container as level as possible while removing.

- 3 Put the old toner container in the plastic bag supplied with the toner kit and dispose of it.

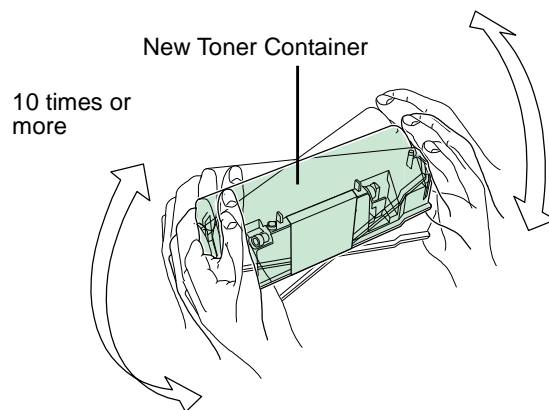


Note

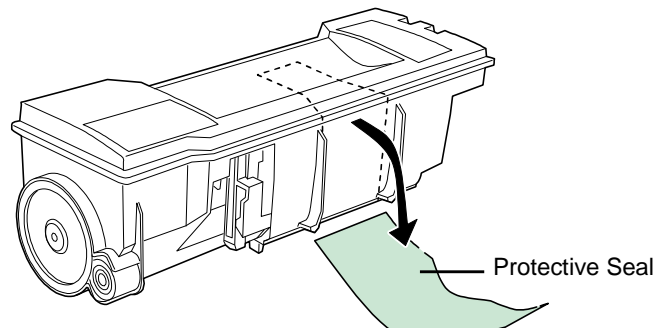
- The old toner container may be incinerated without the risk of generating harmful gas.

**4** Take the new toner container from the bag.

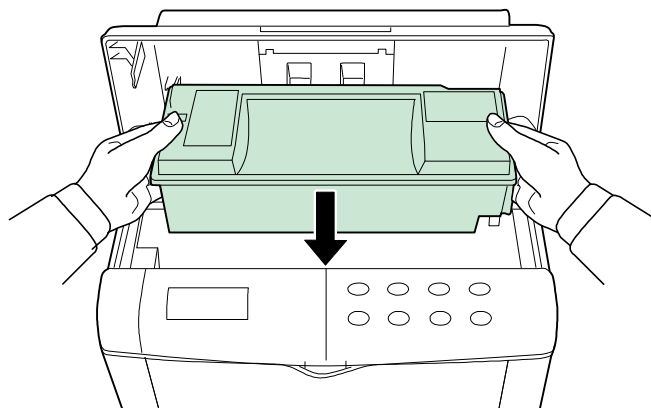
**5** With the label side down, thoroughly shake the toner container (in the direction of the arrows) ten times or more. This ensures that the toner is evenly distributed inside.



**6** Carefully remove the protective seal (orange coloured).

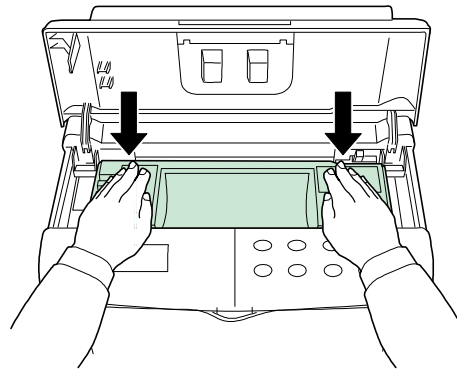


**7** Install the toner container into the printer.

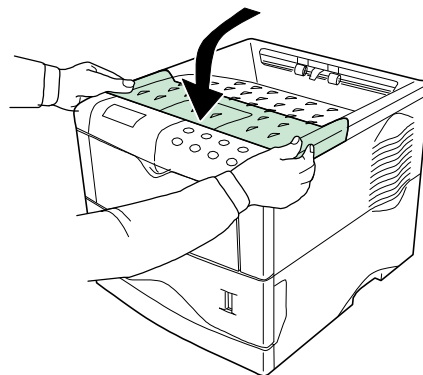


- 8** Push firmly on the top of the toner container at the positions marked **PUSH HERE**.

When the toner container fits into place, it will lock with a clicking sound.



- 9** Close the top cover.



Note

It is necessary to clean the inside of the printer after replacing the toner container. If the toner container is replaced when **Replace toner Clean printer** is displayed, **Clean printer Press GO** will appear after replacement. After cleaning the inside of the printer (see [Cleaning section](#)), the message will disappear when the **GO** key is pressed, and the printer will be ready for printing.

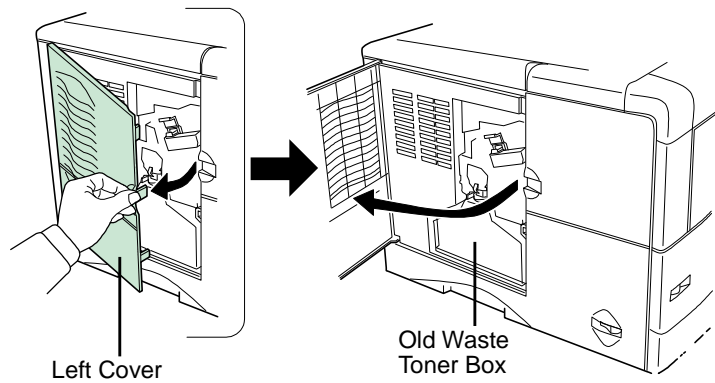
## Replacing the Waste Toner Box



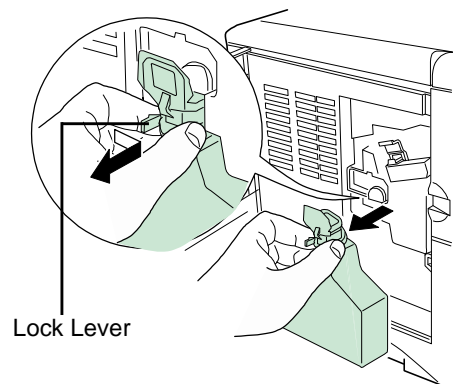
Note

When replacing the toner container, the used waste toner box in the printer should also be replaced with the new one from the new toner kit.

- 1 Open the left cover on the left side of the printer.



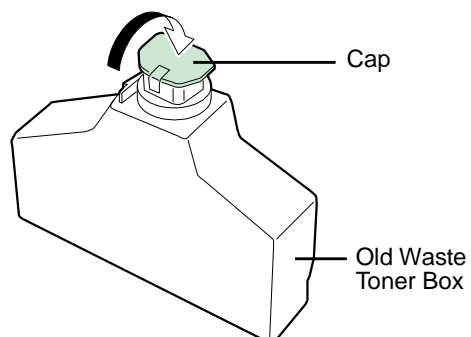
- 2 While holding the waste toner box, press the lock lever and then gently remove the waste toner box.



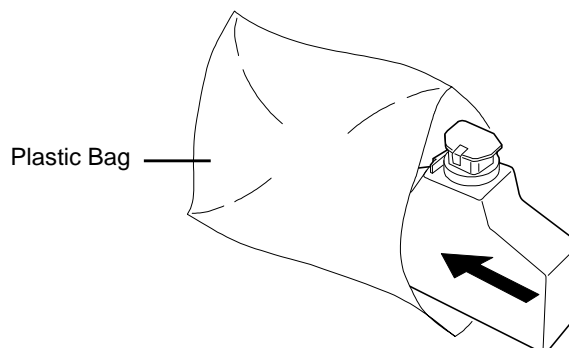
Note

Remove the waste toner box as gently as possible so as not to scatter the toner inside. Do not let the opening of the waste toner box face downward.

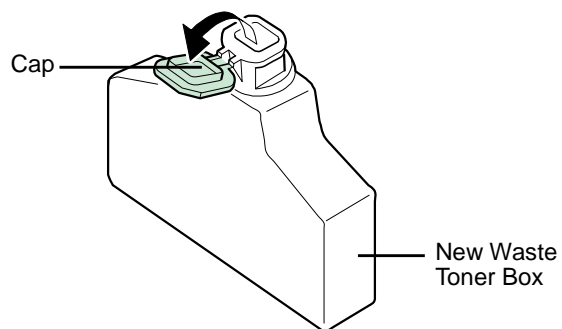
- 3** Cap the waste toner box after removing from the printer.



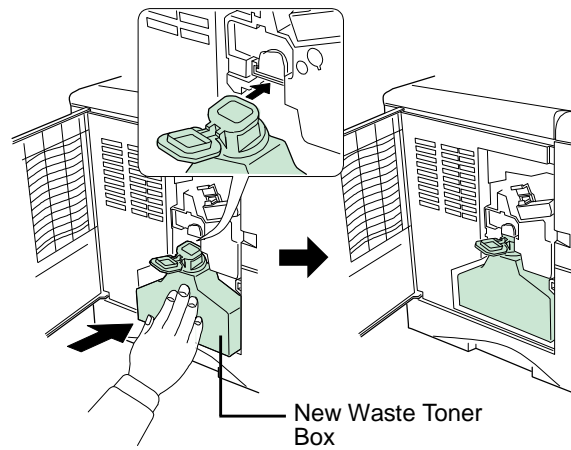
- 4** To avoid toner spilling, place the capped waste toner box in the plastic bag supplied before proper disposal.



- 5** Open the cap of the new waste toner box.



- 6** Insert the new waste toner box as shown in the figure below. The box will be locked when it fits into place.



- 7** Ensure that it is correctly inserted and close the left cover.



The printer parts must be cleaned when replacing the toner container. See [Cleaning section](#)

- 8** If the toner container is replaced before it is empty, reset the toner counter (see [Toner Counter Resetting](#) in the user's manual).