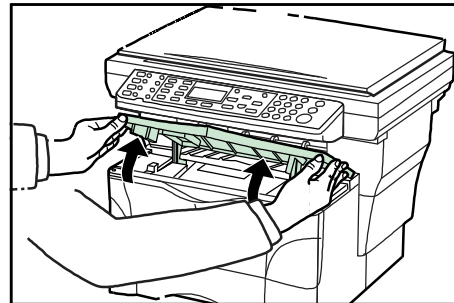
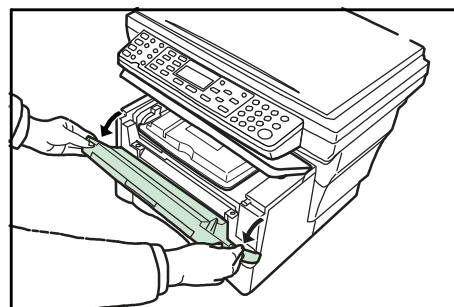


## FS-1018MFP, FS-1118MFP Replacing Toner Container

- 1 Open the top cover.

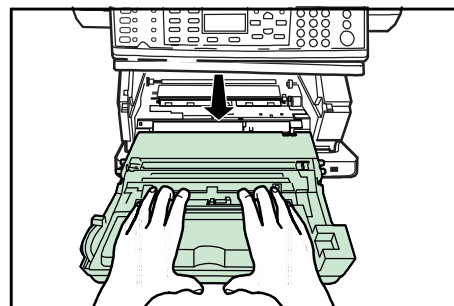


- 2 Open the front cover.

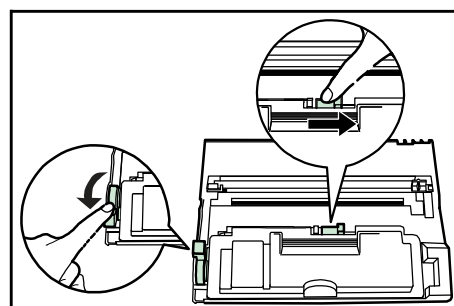


- 3 Lift the process unit, together with the toner container, out of the machine and place it on a clean, level surface.

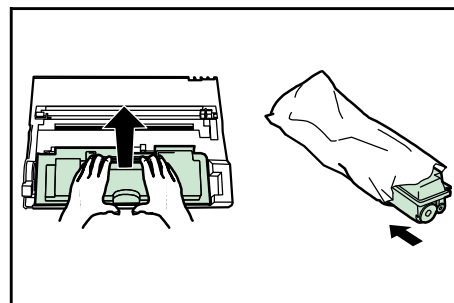
Do not stand the process unit on end and never expose the drum to normal lighting for more than five minutes.



- 4 Pull the lock lever towards to the **UNLOCK** position then pull the toner container release lever to the right.

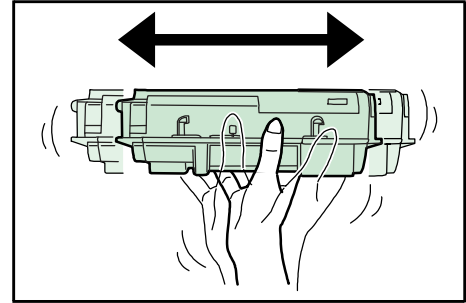


- 5 Gently remove the old toner container. Put it in the supplied plastic bag and dispose of it according to local rules and regulations.

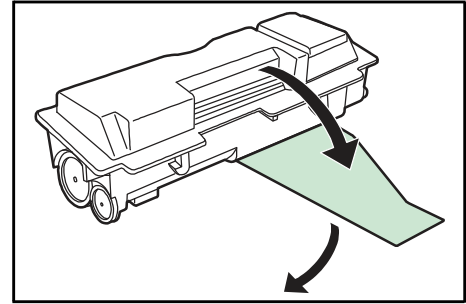


**CAUTION:** Do not burn or open the toner container.

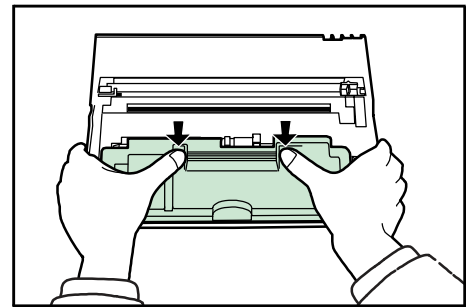
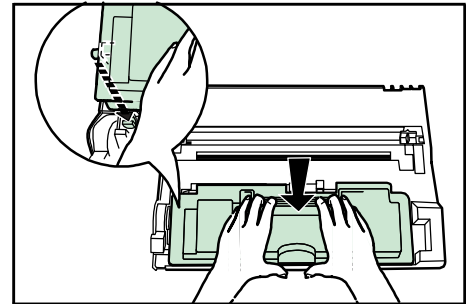
- 6 Shake the new toner container horizontally 5 or 6 times to distributed the toner inside.



- 7 Remove the orange protective seal.



- 8 Align the knob on the left side of the container with the groove in the process unit and insert it. Push on the **PUSH HERE** marks until the container clicks into place.



- 9 Push the lock lever back into its locked position (away from you).

Clean the charge and registration roller.

