

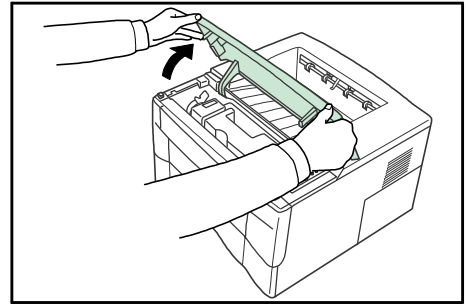
## FS-1000(+), FS-1010, FS-1050, FS-1020D & FS-1030D Toner Container Replacement

To replace the toner container use the instructions below.



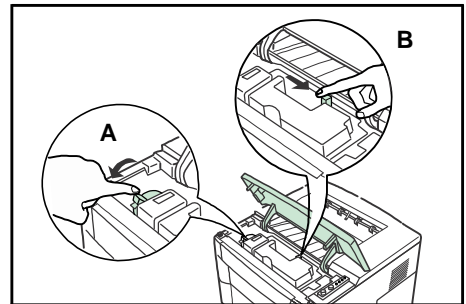
**CAUTION:** Do not attempt to incinerate the toner container. Dangerous sparks may cause burns. Do not attempt to force open or destroy the toner container.

- 1 Open the top cover.



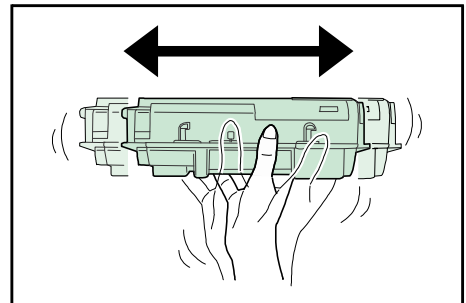
- 2 Turn lock lever A to the unlock position, push lock lever B to the right and pull out the toner container.

Place the used toner container in the plastic bag provided for disposal.

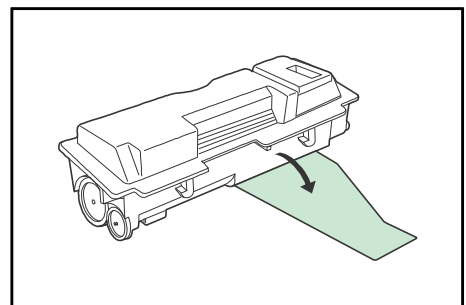


- 3 Remove the packaging from the new toner container.

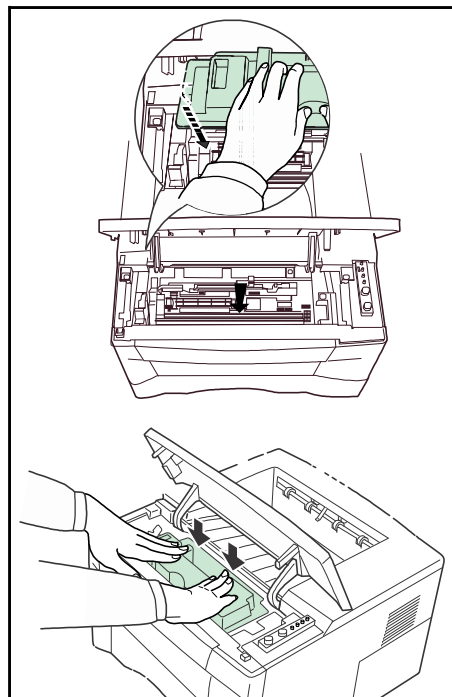
Shake the new toner container horizontally at least 5 times as shown in the figure in order to distribute the toner evenly.



- 4 Remove the label from the toner container.



- 5** Install the new toner container in the printer. Push firmly on the top of the container at the positions marked **PUSH HERE**, until you hear a click.



- 6** Turn lock lever A to the lock position and close the top cover.

