

FS-C5015N, FS-C5016N, FS-C5020N, FS-C5025 and FS-C5030N Replacing the Toner Container

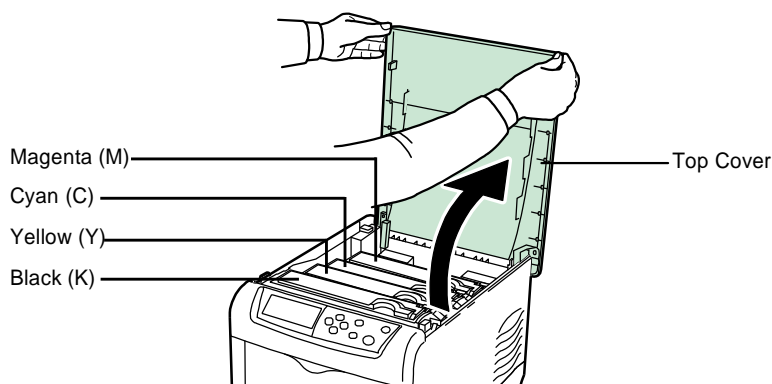
This section explains how to replace the toner containers. When replacing the toner container of any colour, always replace the waste toner box at the same time. If this box is full, the printer may be damaged or contaminated by the waste toner that may spill over the box.

NOTE: During toner container replacement, temporarily put storage media and computer supplies (such as floppy disks) away from around the toner container. This is to avoid damaging media by the magnetism of toner.

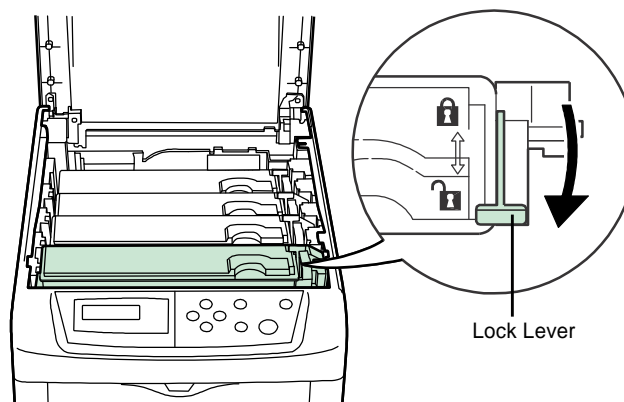
IMPORTANT: You do not have to turn printer power off before starting the replacement. Any data that may be under printing process in the printer will be deleted if you turn printer power off.

To replace the toner container, first make sure of the colour of the toner container requiring replacement. In this example, it is assumed that you are replacing the black toner container.

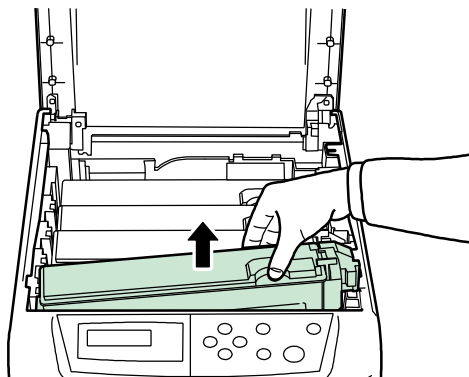
- 1 Open the top cover.



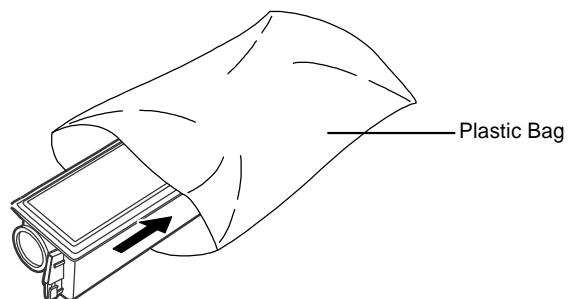
- 2 Pull the blue lock lever on the toner container forward towards the unlocked symbol.



- 3** Carefully remove the old toner container from the printer.

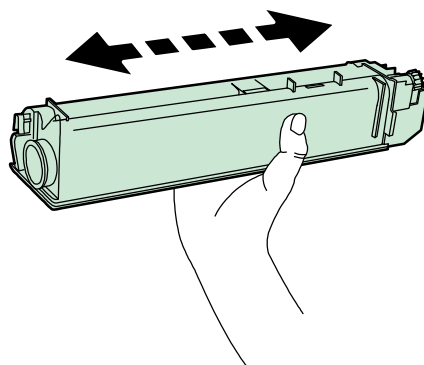


- 4** Put the old toner container in the plastic bag (contained in the toner kit) and discard it later according to the local code or regulations for waste disposal.

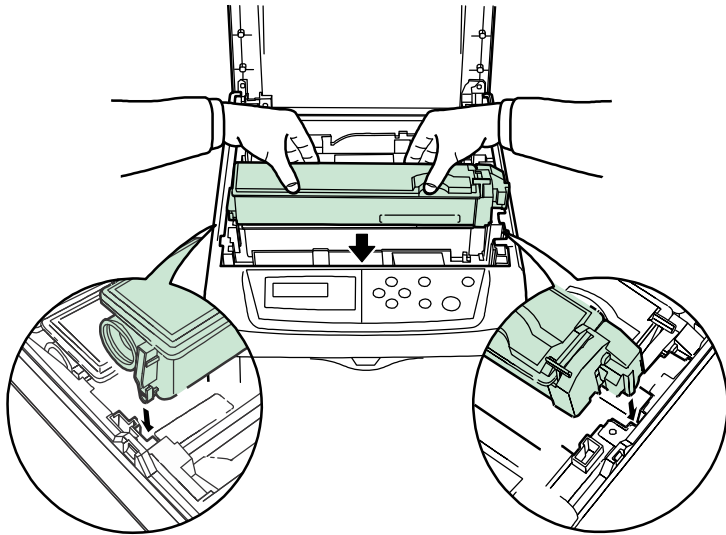


- 5** Take the new toner container out of the toner kit.

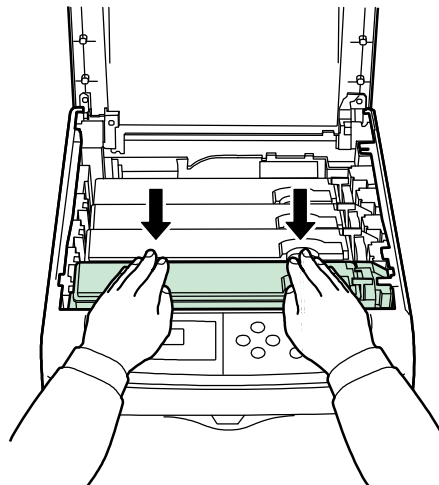
- 6** Shake the new toner container 5 or 6 times as shown in the figure in order to distribute the toner evenly inside the container.



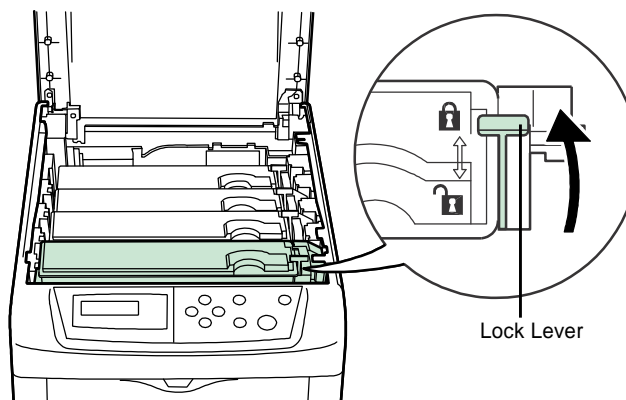
- 7** Set the new toner container in the printer as shown in the figure below.



- 8** Push down on the top of the toner container to install it firmly in place.



- 9** Pull the blue lock lever on the toner container back towards the locked symbol as far as it will go.



- 10 Use the same procedure to replace the other colour toner containers.
- 11 Close the top cover.

