

## FS-1116MFP Toner Container Replacement

The toner container requires replacing when empty. A starter toner container provides approximately 3000 prints. A full toner container is offered in two yield types, 2000 or 6000 pages (at 5% coverage).

The machine displays messages at two stages of toner usage.

- When the machine becomes low on toner, the machine displays the message **Toner Low** as the first caution. Note the replacement is not always necessary at this stage.
  - If you ignore the above message and continue printing, the machine displays the message **Please Replace Toner** just before the toner is used up. The toner container must be replaced immediately.

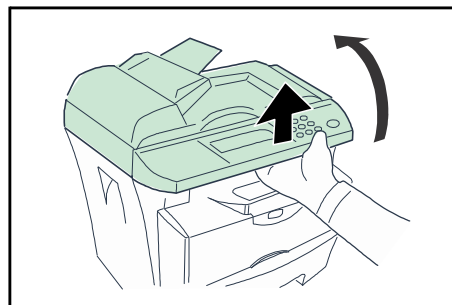
To replace the *Toner Container* use the instructions below.

---

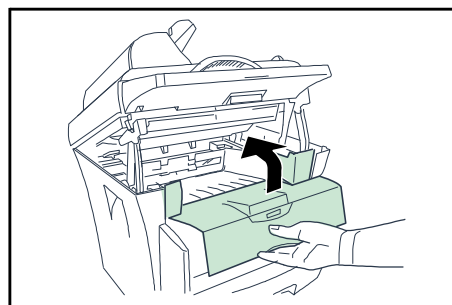
**⚠ CAUTION:** Do not attempt to incinerate the *Toner Container*. Dangerous sparks may cause burns. Do not attempt to force open or destroy the *Toner Container*.

---

- 1** Open the *Scan Unit*.

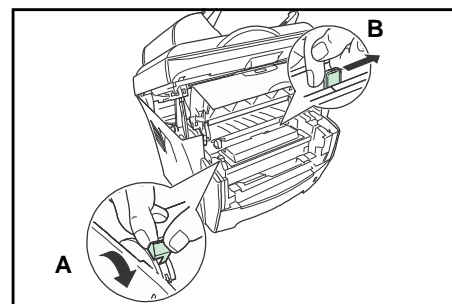


- 2** Open the *Front Cover*.



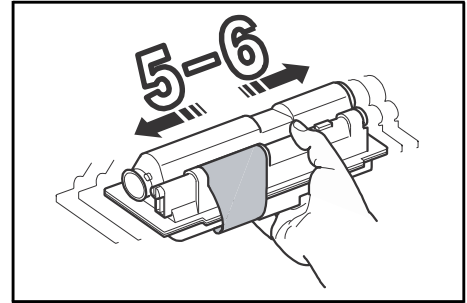
- 3** Turn *Lock Lever A* to the unlock position, push *Lock Lever B* to the right and pull out the *Toner Container*.

Place the used *Toner Container* in the plastic bag provided for disposal.

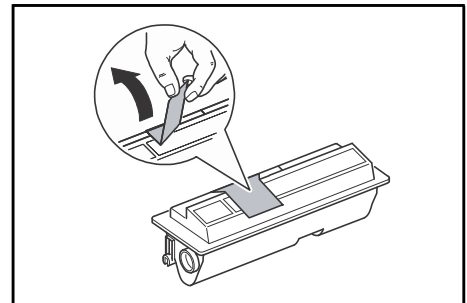


- 4** Remove the packaging from the new *Toner Container*.

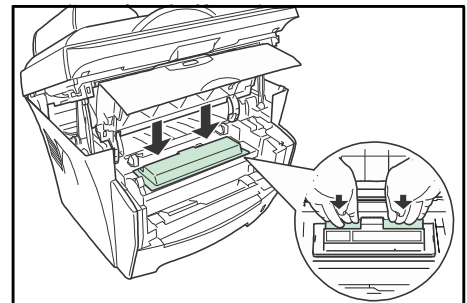
Shake the container horizontally to distribute the toner evenly.



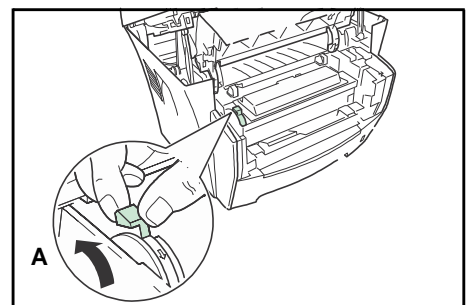
- 5** Remove the label from the *Toner Container*.



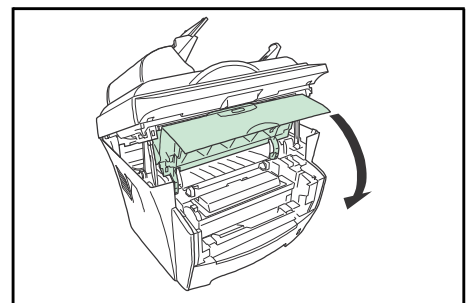
- 6** Install the new *Toner Container* in the printer. Push firmly on the top of the container at the positions marked PUSH HERE, until you hear a click.



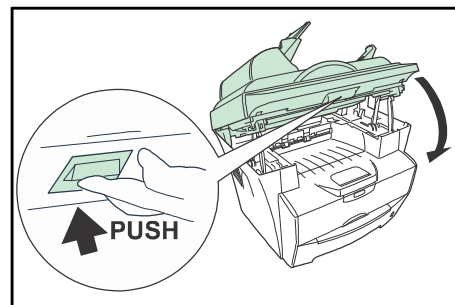
- 7** Turn *Lock Lever A* to the lock position.



- 8** Close the *Front Cover*.



- 9 Close the *Scan Unit* pushing the *Lever*.



**IMPORTANT:** Take care not to place your fingers between the scan unit and the main body when the scan unit is closing.

