



## FS-C8026N Toner Container Replacement

A toner kit for each colour contains the following items.

- Toner Container
- Waste toner box
- Cleaning cloth
- Grid cleaner
- Plastic waste bags for old toner container and old waste toner box
- Instructions



Note

**Do not remove the toner container from the carton until you are ready to install it in the printer.**

### Toner Container Replacement Request

The printer displays messages for individual colours at two stages of toner usage. This message is automatically alternated with the other printer message (such as Ready):

- When the printer becomes low on toner, for example in the cyan container, the printer displays the message Toner low C, M, Y, K as the first caution. Note the replacement is not always necessary at this stage.
- If you ignore the above message and continue printing, the printer displays the message Replace Toner— just before the toner is used up. The toner container must be replaced immediately. Clean the separate charger wires, etc. After the cleaning is finished, however, the message does not automatically change to Ready. To restart printing, you must press the **GO** key and make the printer ready.

### Replacing the Toner Container



Note

**During toner container replacement, temporarily put storage media and computer supplies (such as floppy disks) away from around the toner container. This is to avoid damaging media by the magnetism of toner.**

This section explains how to replace the toner containers. When replacing the toner container of any colour, always replace the waste toner box at the same time. If this box is full, the printer may be damaged or contaminated by the waste toner that may spill over the box.

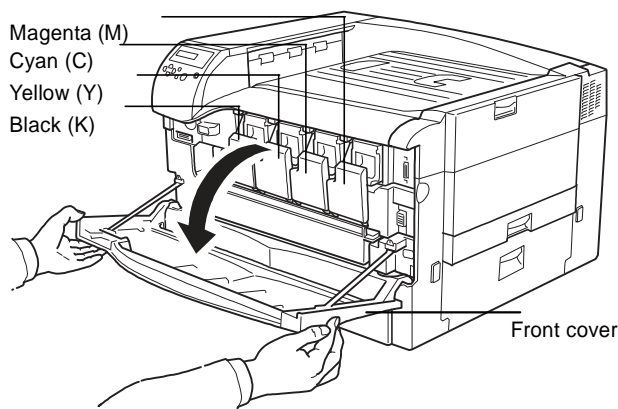


Note

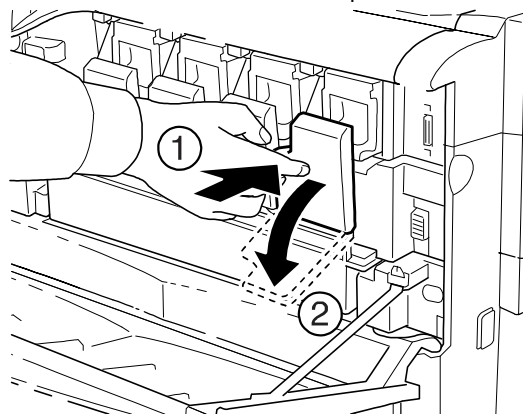
**You do not have to turn printer power off before starting the replacement. Any data that may be under printing process in the printer will be deleted if you turn printer power off.**

To replace the toner container, first make sure of the colour of the toner container requiring replacement. In this example, it is assumed that you are replacing the black toner container.

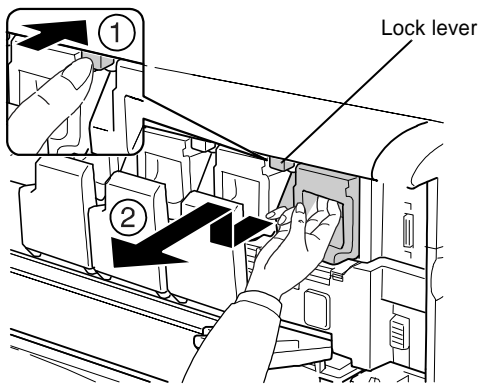
- 1 Open the front cover.



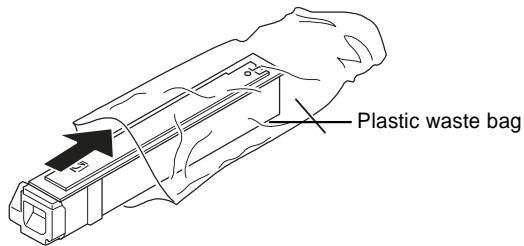
- 2 Press on the toner container to open it.



- 3 Press the green lock lever to unlock the container. This will cause the toner container to move towards you slightly. Carefully lift up and pull to remove it.

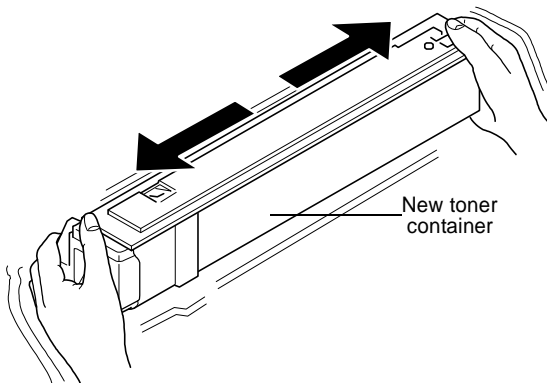


- 4 Put the old toner container in the plastic waste bag (contained in the toner kit) and discard it later according to the local code or regulations for waste disposal.

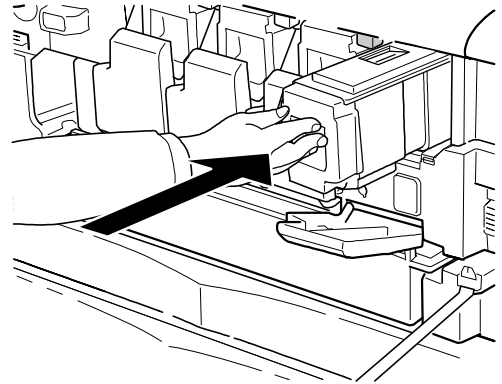


- 5 Take the new toner container out of the toner kit.

- 6 To loosen and redistribute the toner inside, hold the container and shake the container back and forth at least 5 times.



- 7 Insert the new toner container all the way in. The container is locked automatically when it is properly seated.



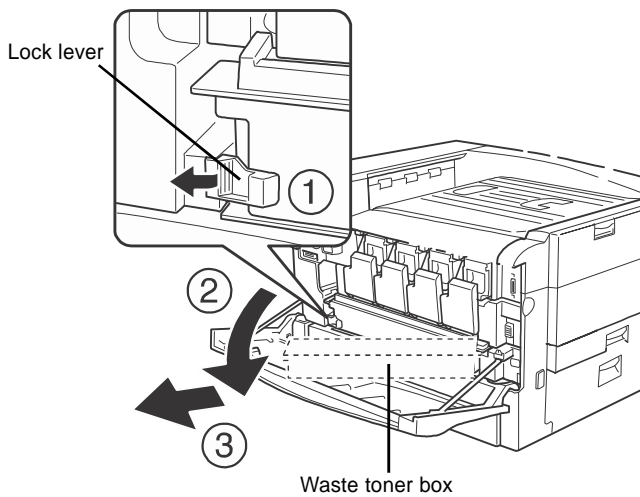
- 8 Close the toner container cover, and then close the front cover. Press the left and right corners of the front cover to ensure that it is closed securely.

To replace the other colour toner container, use the same procedure above.  
Proceed to the next section and replace the waste toner box.

## Replacing the Waste Toner Box

When Replace waste toner box is shown in the message display, replace the waste toner box. A new waste toner box is included with the toner kit.

- 1 While pressing the lock lever to the left, pull out the left end of the waste toner box and then remove the waste toner box.



- 2 To keep toner from spilling, remove the black caps provided on the tone toner box and insert them into the four holes as shown in the illustration below.

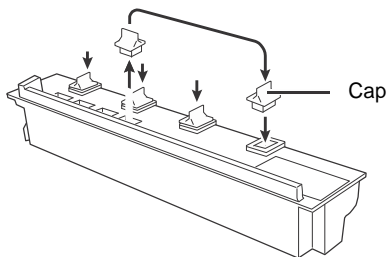
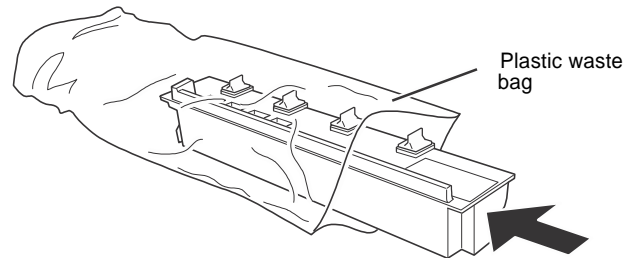
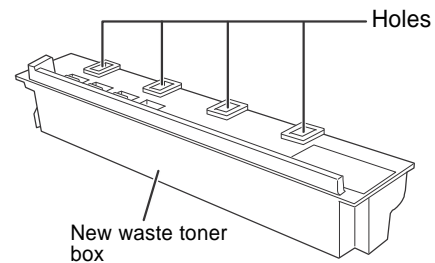


Figure 5-8

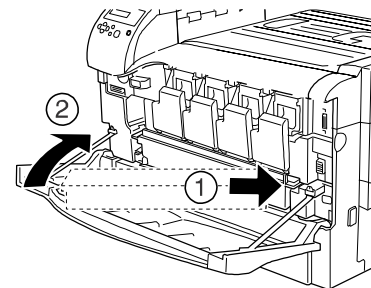
- 3 Put the old waste toner box in the plastic waste bag (contained in the toner kit) and discard it later according to the local code or regulations for waste disposal.



- 4 Check to make sure that the caps of the new waste toner box are open.

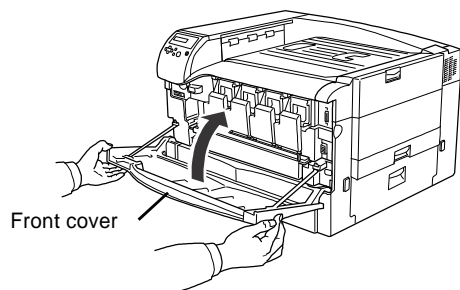


- 5 Install a new waste toner box into the printer as shown in the illustration.



- Do not cover the holes of the new waste toner box with their covers. Doing so will lead to malfunction of the printer.

6 Close the front cover.



When Replace waste toner box is shown in the message display, replace the waste toner box. A new waste toner box is included with the toner kit. Always clean the interior of the printer after replacing a toner container. See [Cleaning Section](#)