

## FS-8000CN & FS-C8008N Replacing the Toner Container

This section explains how to replace the toner

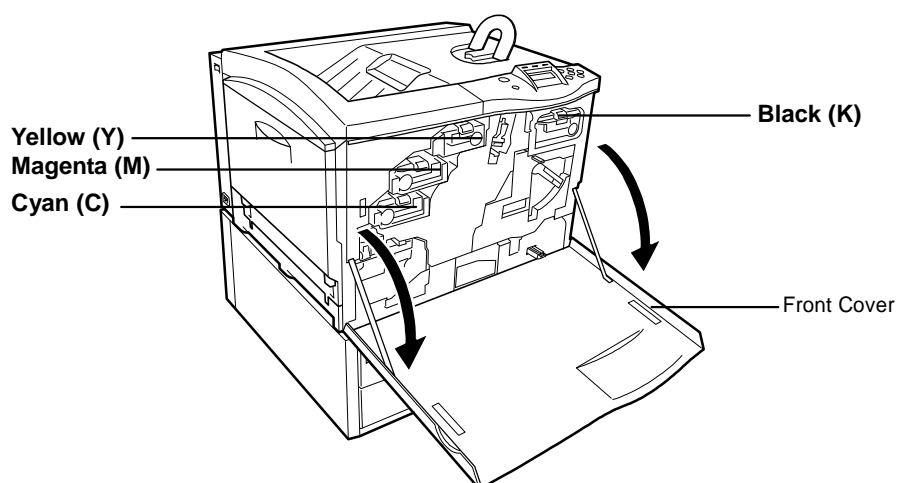


Note

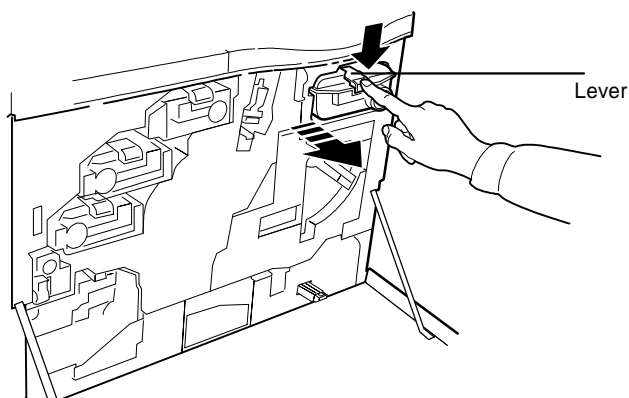
- **During toner container replacement, temporarily put storage media and computer supplies (such as floppy disks) away from around the toner container. This is to avoid damage due to the magnetism of the toner.**
- **You do not have to turn printer power off before starting the replacement. Any data that may be under printing process in the printer will be deleted if you turn printer power off.**

To replace the toner container, first check the colour of the toner container requiring replacement. In this example, it is assumed that you are replacing the black toner container.

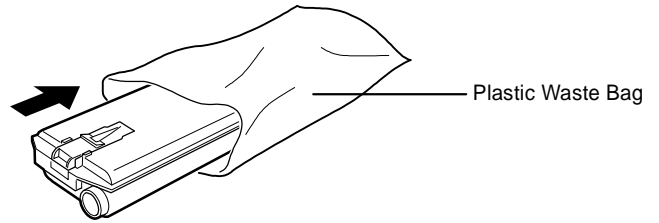
- 1 Open the front



- 2 While lowering the lever (blue-coloured) at the end of the toner container to unlock

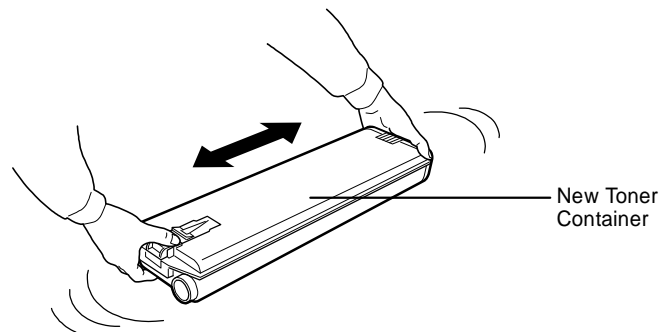


- 3 Put the old toner container in the plastic waste bag (contained in the toner kit) and discard it later according to the local law or regulations for waste disposal.

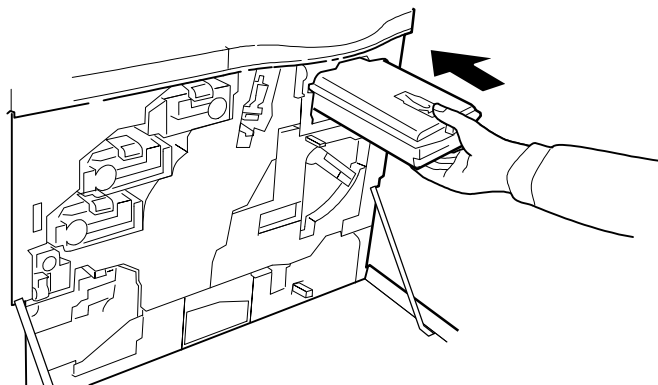


- 4 Take the new toner container out of the toner kit.

- 5 To loosen and redistribute the toner inside, hold the container and shake the container back and forth at least 5 times.



- 6 Insert the new toner container all the way in. The container is locked automatically when it is properly seated.



- 7 Close the front

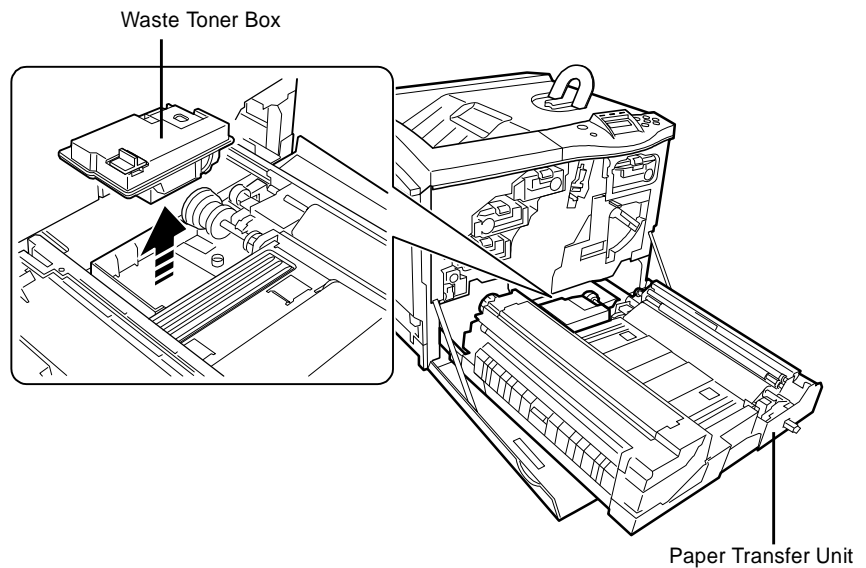
To replace the other colour toner container, use the same procedure above.

After replacing the toner containers, clean the paper transfer unit and the main charger unit. For instructions, see cleaning section

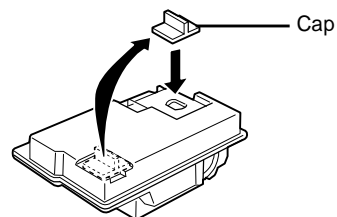
## Replacing the Waste Toner Box

When the Check waste toner box message appears, replace the waste toner box. A new waste toner box is included with the toner kit. The printer will not operate without replacing the waste toner box.

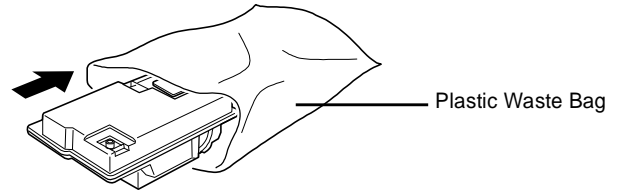
- 1 Open the front
- 2 Pull the paper transfer unit all the way out. Slowly remove the waste toner box. Do not place the removed box upside down.



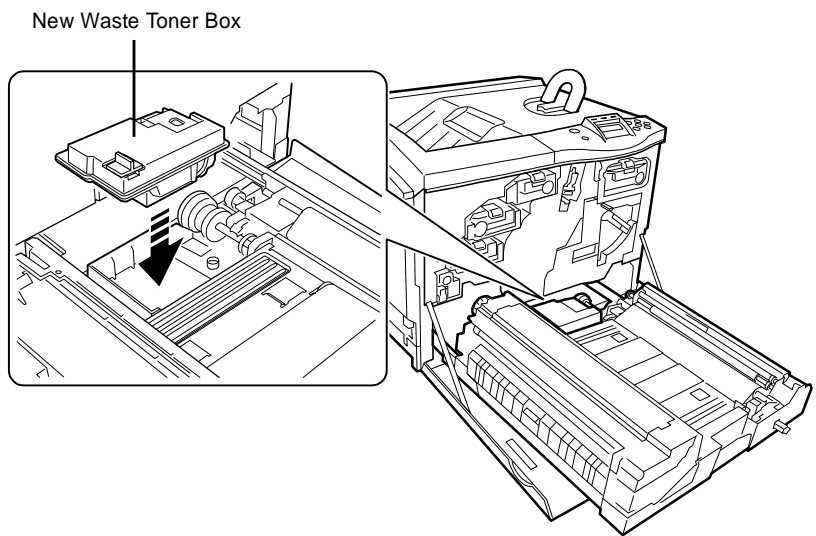
- 3 The old waste toner box has a cap. Remove the cap (black) on the top of the box and put the cap onto the opening as shown below. This is to prevent the toner from spilling.



- 4 Put the old waste toner box in the plastic waste bag (contained in the toner kit) and discard it later according to the local code or regulations for waste disposal.



- 5 Insert the new waste toner box (contained in the toner kit) upright until it snap into place.



**Do not put the lid on the opening of a new waste toner box. This could cause damage to the printer.**

- 6 Close the front cover.