

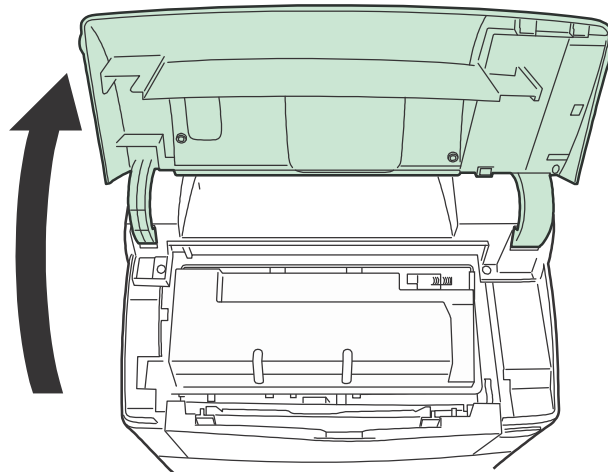
FS-2000D, FS-3900DN & FS-4000DN Replacing the Toner Container

NOTE: To avoid damaging magnetic media during toner container replacement, temporarily put storage media and computer supplies (such as floppy disks) away from the toner container.

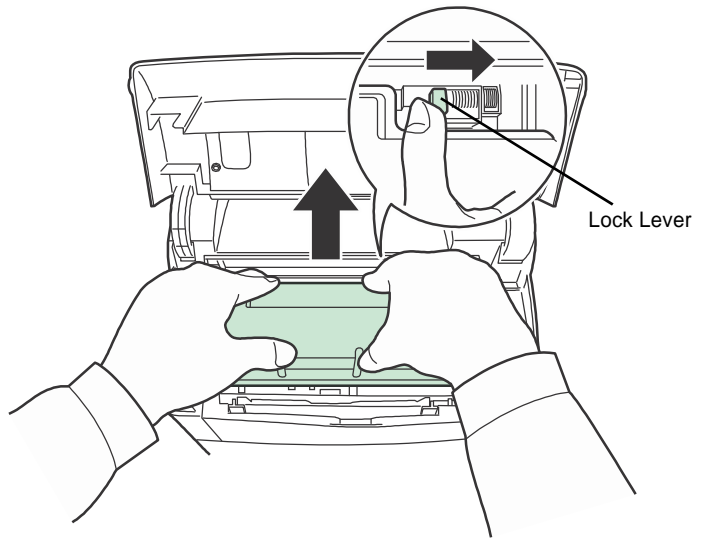
NOTE: When replacing the toner container, always replace the waste toner box at the same time.
If the box is full, the printer may be damaged or contaminated by waste toner that spilling from the box.

NOTE: You do not have to turn printer power off before starting the replacement. Any data that may be under printing process in the printer will be lost if you turn printer power off.

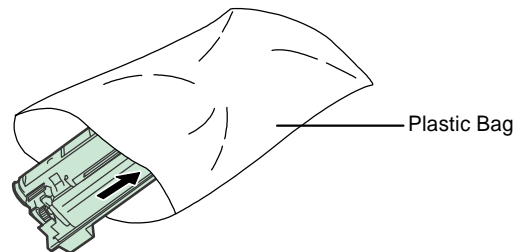
- 1 Open the top cover.



- 2** Push lock lever to the right and pull out the toner container.

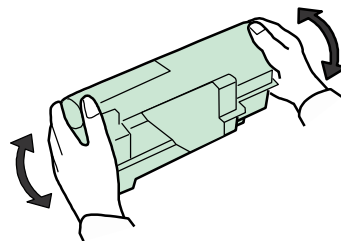


- 3** Put the old toner container in the plastic bag (contained in the toner kit) and discard it later according to the local code or regulations for waste disposal.

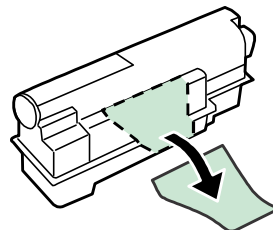


- 4** Take the new toner container out of the toner kit.

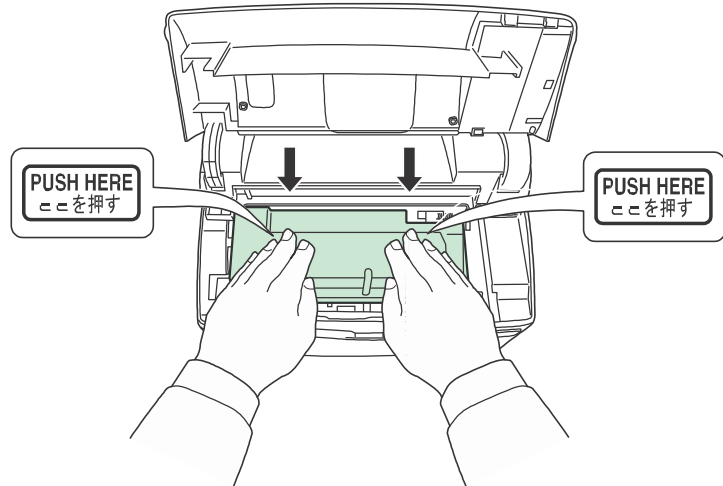
- 5** Shake the new toner container at least 10 times as shown in the figure in order to distribute the toner evenly inside the container.



- 6** Remove the label from the toner container.



- 7 Set the new toner container in the printer and push down on the top of the toner container to install it firmly in place as shown in the figure below.

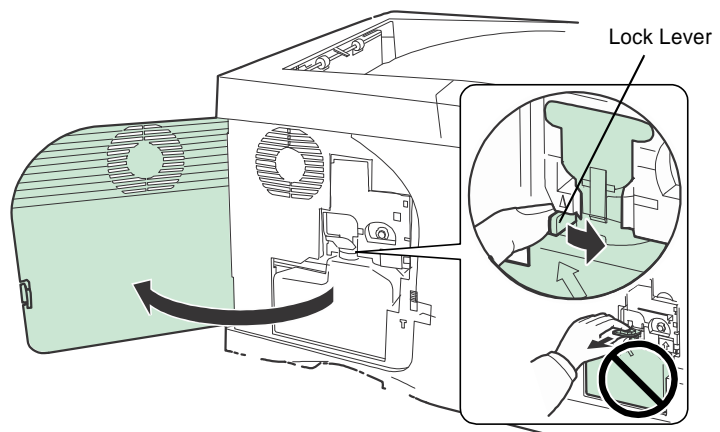


- 8 Close the top cover.
Proceed to the next section.

Replacing the Waste Toner Box

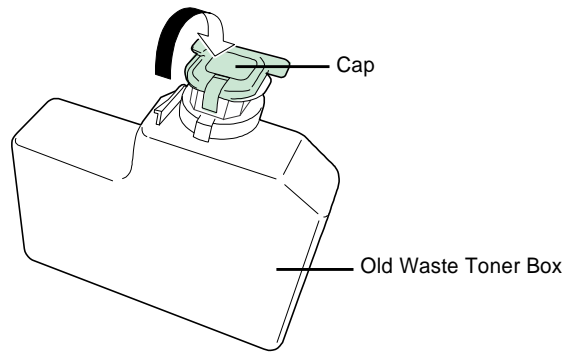
When replacing the toner container, the used waste toner box in the printer should also be replaced with the new one from the new toner kit. A new waste toner box is included with the toner kit. The printer will not operate without replacing the waste toner box.

- 1 Open the left cover. While holding the waste toner box, press the lock lever and then gently remove the waste toner box.

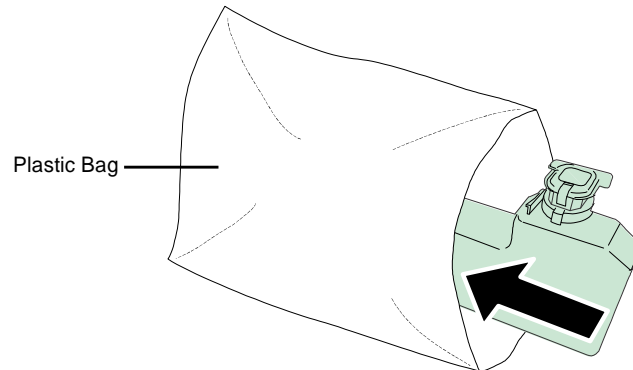


NOTE: Remove the waste toner box as gently as possible so as not to scatter the toner inside. Do not let the opening of the waste toner box face downward.

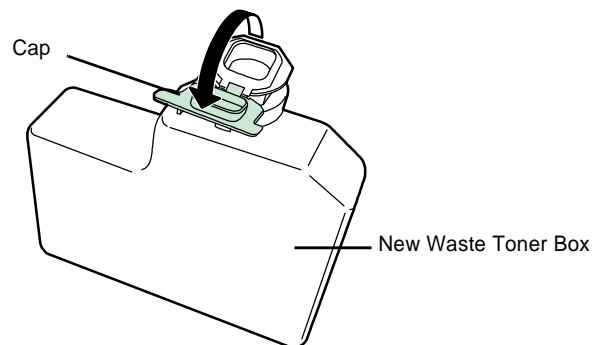
- 2** Close the cap to the old waste toner box after removing the box from the printer.



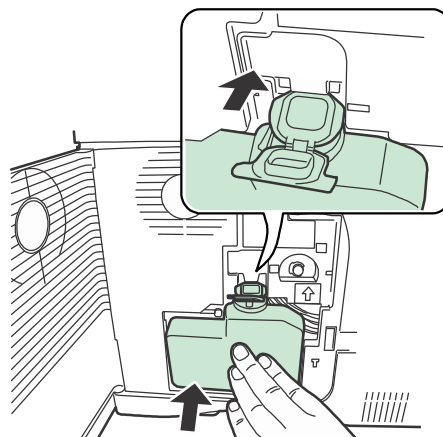
- 3** To prevent toner from spilling, put the old waste toner box in the plastic bag (contained in the toner kit) and discard it later according to the local code or regulations for waste disposal.



- 4** Open the cap of the new waste toner box.



- 5** Insert the new waste toner box as shown in the figure below. When the box is set correctly, it will snap into place.



- 6** Make sure that the waste toner box is correctly inserted and close the left cover.

After replacing the toner containers and the waste toner box, clean the internal parts. For instructions, refer to the [Cleaning Section](#)